

**Wall Mounted Enclosures**  
**Hygienic Design Range | Stainless Steel**  
**Single door | HDW**

**IP 66/69/69K | TYPE 4X, 12 | IK08**



**Material:**

Body: 1.5 mm.  
 Door: 2 mm. AISI 304L pre-grained stainless steel.  
 Mounting plate: 2 mm galvanized steel.

**Body:**

Monoblock body, folded and seam welded. The top of the body is equipped with a sloping roof at an angle of 30 degrees towards the front, ending with a 30 mm overhang to avoid any draining liquids from dripping onto the gasket and the door.

**Door:**

Corner formed in one piece with a sloping angle of 8° on all sides. Surface mounted with 120° opening. Concealed hinges with captive pin. Can be mounted to give left or right hand opening (machining is not required).

**Internal hinge:**

The door hinge has been especially designed to fit concealed inside the enclosure once the door is closed, avoiding dirt deposits that would accumulate if it were outside, thus making the enclosure easy to clean.

**Gasket:**

Sealing is ensured by an all-round one piece removable blue silicone gasket. The silicone is FDA 21 CFR 177.2600 compliant.

**Lock:**

HD lock made of stainless steel AISI 316L with blue silicone gasket, the lock conforms with norm DIN EN 1672-2:2009.

**Mounting plate:**

Fixed onto M8 studs welded on the rear of the enclosure. All sides from 800 mm and above are strengthened by folded edges. The mounting plate is marked vertically at 10 mm intervals for easy horizontal positioning of equipment.

**Cable access:**

No gland openings as standard to avoid hygiene risks.

**Protection:**

Corresponds with IP 66/69/69K | TYPE 4X, 12 | IK08.

**Finish:**

400 Pre-grained stainless steel, polished to Ra < 0.8 µm.

**Delivery:**

Enclosure with door, mounting plate, metallic key and mounting accessories.

**Additional information:**

For accessories on the outside of the enclosure please see our HD accessories section.



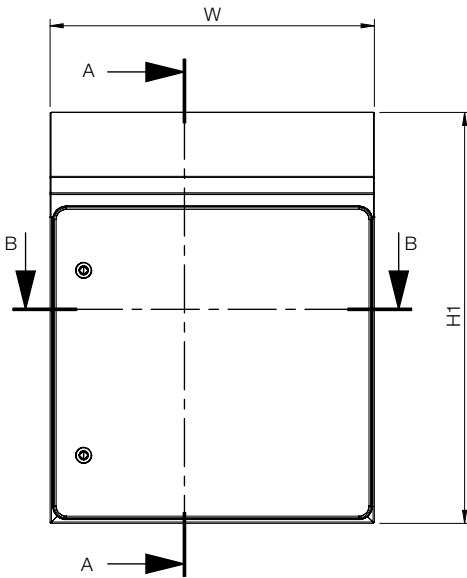
## Dimensional table | HDW

### IP 66/69/69K | TYPE 4X, 12 | IK08

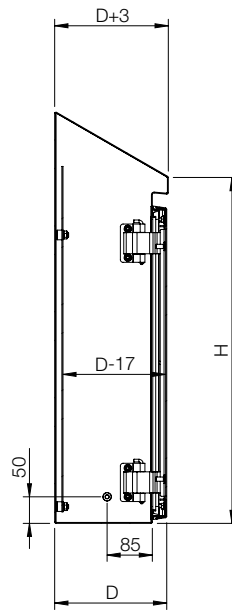
H	H1	W	D	h	w	Item no.
350	442	220	155	350	160	HDW0442215
430	552	390	210	430	330	HDW0553921
430	553	810	210	430	750	HDW0558121
430	605	610	300	430	550	HDW0606130
550	672	510	210	550	450	HDW0675121
650	772	390	210	650	330	HDW0773921
650	772	610	210	650	550	HDW0776121
650	825	810	300	650	750	HDW0828130
1050	1225	810	300	1050	750	HDW1228130
1250	1425	810	300	1250	750	HDW1428130



Front view

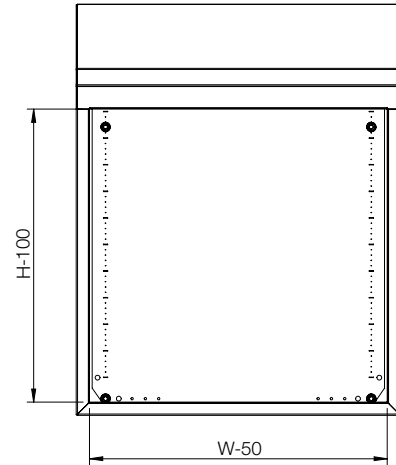


Sectional side view

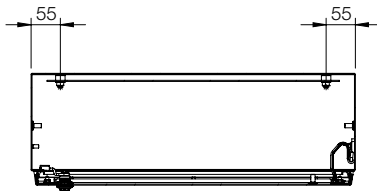


SECTION A-A

Inside enclosure view

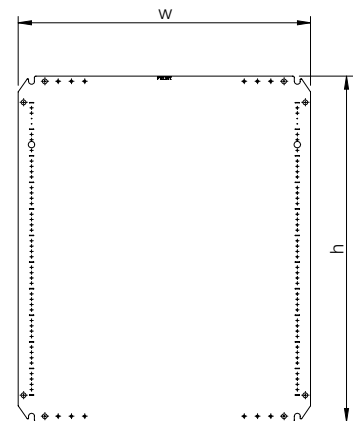


Sectional top view

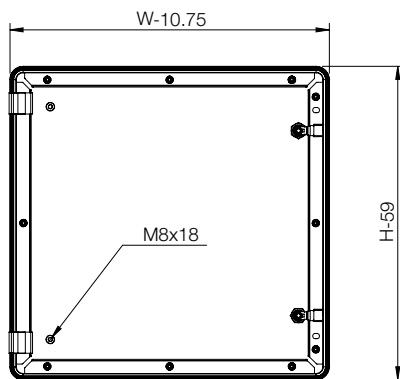


SECTION B-B

Mounting plate view



Inside door view



# Wall Mounted Enclosures

## Hygienic Design Range

### Accessories

#### Depth interior profile for HDW, DIPH

**Description:** The DIPH profile system is a 40 mm wide and 25 mm high profile to be mounted on the sides and base of HDW range enclosures. It has two rows of hole patterns and can be used in combination with the CLPK and CLPF profiles. No machining is required.

**Material:** Zinc plated Steel.

**Pack quantity:** 4 profiles with mounting accessories.

For enclosure		
D	Max. loading	Item no.
210	150 N	DIPH210
300	150 N	DIPH300



#### Wall mounting brackets HD, AWHD

**Description:** Mounting brackets for hygienic wall fixing. Provides an space between the enclosure and the wall to facilitate cleaning operations. It includes the sealing washers to guarantee the IP rating. Machining required. Design according to EHEDG standards.

**Material:** AISI 304 stainless steel. Sealing in FDA approved silicone.

**Pack quantity:** 1 bracket with mounting accessories.

D	Item no.
50	AWHD050
300	AWHD300



#### Leveling feet HD, LFHD

**Description:** Adjustable feet for leveling enclosures placed on uneven ground. Reduce cleaning time thanks to fully covered and sealed threads. Machining required. Design according to EHEDG standards.

**Material:** AISI 304 stainless steel. Sealing in FDA approved silicone.

**Maximum load:** 9000N per foot.

**Pack quantity:** 4 pieces with mounting accessories.

Total height	Max. height	Min. height	Item no.
178 mm	140 mm	104 mm	LFHD04



## Door switch for HDW, HDSW

- Description:** Door switch to activate any electrical device (lighting, signalling, alarms, etc.) designed for HDW range of wall mounted enclosures. No machining is required.
- Switch capacity:** 3 A / 240 V
- Pack quantity:** 1 piece with mounting instructions.

Item no.
HDSW01



2

## Cable glands HD, CGHD

- Description:** Hygienic design cable fittings. Known for excellent strain relief even while providing higher protection class. Machining required. Design according to EHEDG standards.
- Material:** AISI 303 stainless steel. Sealing in FDA approved silicone.
- Protection:** IP 69.
- Pack quantity:** 5 pieces, locknut included.

Thread	Cable Size	Item no.
M12 x 1.5	3 - 6.5	CGHD12
M16 x 1.5	5 - 10	CGHD16
M20 x 1.5	6 - 12	CGHD20
M25 x 1.5	12 - 17	CGHD25

