

"MAN" PICTOGRAM FOR GLUING AC400



120 x 135 x 2 mm

- Pictogram with „Man“ motif in 2 mm thick stainless steel (AISI 304), satin finished and brushed.
- Mounting with double-sided glue dots.
- Delivery includes fixing material.
- Weight, including single package: 0.1 kg

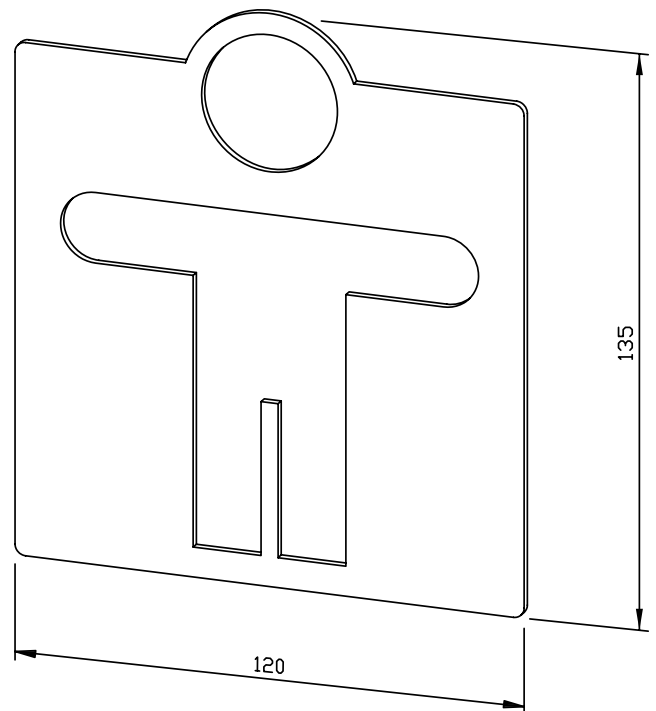


Suggested text for specifications:

Pictogram for gluing with ‚Man‘ motif in 2 mm thick stainless steel (AISI 303), satin finished and brushed. Delivery includes fixing material.

Dimensions: 120 x 135 x 2 mm

Article No. AC400



Available surface	ID No.
satin finished	700 400

Ernst Wagner GmbH & Co. KG

Ernst-Abbe-Straße 21 · D-72770 Reutlingen · Tel.: +49712151539-0 · Fax: -20
info@wagner-ewar.de · www.wagner-ewar.de

WAGNER
— EWAR