

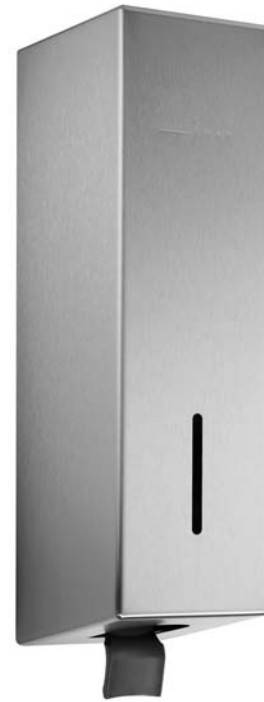
# LIQUID SOAP DISPENSER WP102-1



80 x 298 x 120 mm

850 ml plug-in tank

- Liquid soap dispenser in robust, germ-reducing and easy-care stainless steel (AISI 316L).
- All-stainless steel housing; all corners fully welded, visible surfaces satin finished and brushed. Further available surfaces: see below.
- One-hand operated and non-drip soap pump with 850 ml plug-in tank.
- Designed for standard liquid soaps or hand lotions.
- Inspection slot to indicate fill level.
- Accessible for refilling through lockable, hinged housing.
- Keyed alike cylinder lock in corrosion-resistant zinc die-casting.
- Wear parts can be replaced as modules.
- Mounting: With two screws through key holes and one optional anti-theft hole in the back wall.
- Delivery includes fixing material.
- Weight, including single package: 1.4 kg

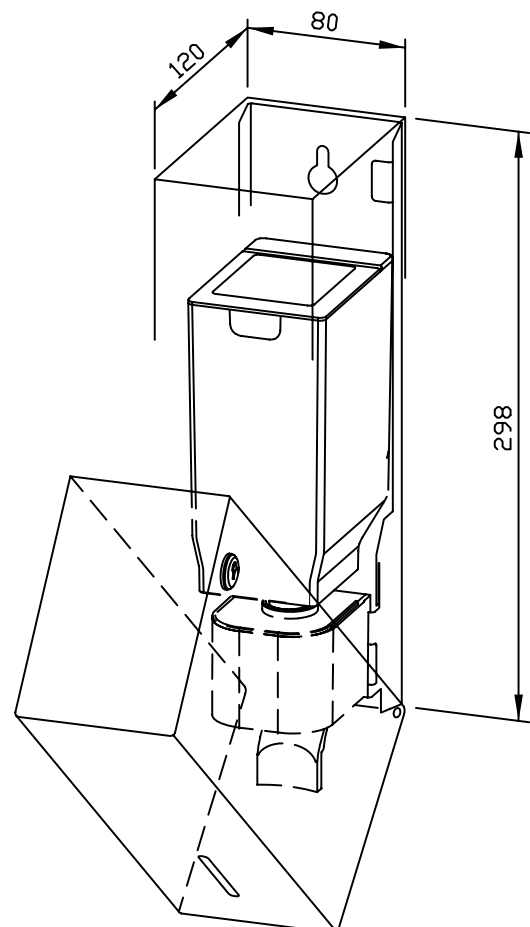


## Suggested text for specifications:

Liquid soap dispenser in stainless steel (AISI 316L) for surface mounting. All-stainless steel housing; all corners fully welded, visible surfaces satin finished and brushed. One-hand operated and non-drip soap pump with 850 ml plug-in tank. Designed for standard liquid soaps or hand lotions. Inspection slot to indicate fill level. Accessible for refilling through lockable, hinged housing. Keyed alike cylinder lock in corrosion-resistant zinc die-casting. Delivery includes fixing material.

Dimensions: 80 x 298 x 120 mm

Article No. WP102-1



Available surfaces	ID No.
satin finished (standard)	727 304
highly polished	731 304
(coloured) plastic powder-coating	728 304

## Ernst Wagner GmbH & Co. KG

Ernst-Abbe-Straße 21 · D-72770 Reutlingen · Tel.: +49712151539-0 · Fax: -20  
info@wagner-ewar.de · www.wagner-ewar.de

WAGNER  
EWAR