

# LIQUID SOAP DISPENSER WP174 FOR MOUNTING BEHIND FIXED MIRROR



68 x 153 x 98 mm  
200 ml soap tank

- Liquid soap dispenser in robust, germ-reducing and easy-care stainless steel (AISI 316L).
- For mounting behind fixed mirror on site.
- One-hand operated and non-drip soap pump with 200 ml tank.
- Tank with large, lockable refill opening.
- Designed for standard liquid soaps or hand lotions. Accessible for refilling through spring stop pin and by removing from below.
- Wear parts can be replaced as modules.
- Mounting: With two screws through key holes and one optional anti-theft hole in the back wall. Depth of substructure installation: min. 120 mm Height above vanity unit: min. 160 mm
- Delivery includes fixing material and self-adhesive information label „Soap“.
- Weight, including single package: 0.5 kg

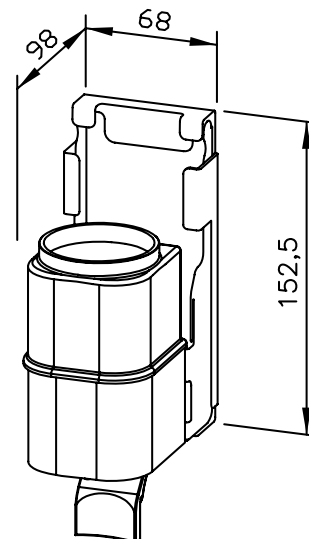


## Suggested text for specifications:

Liquid soap dispenser in stainless steel (AISI 316L) for mounting behind fixed mirror. One-hand operated and non-drip soap pump with 200 ml tank. Designed for standard liquid soaps or hand lotions. Accessible for refilling through spring stop pin and by removing from below. Delivery includes fixing material and self-adhesive information label „Soap“.

Dimensions: 68 x 153 x 98 mm

Article No. WP174



Available surface	ID No.
satin finished	727 030

## Ernst Wagner GmbH & Co. KG

Ernst-Abbe-Straße 21 · D-72770 Reutlingen · Tel.: +49712151539-0 · Fax: -20  
info@wagner-ewar.de · www.wagner-ewar.de

WAGNER  
EWAR