

WASTE BIN PERFORATED WITH WALL RAIL L188



298 x 448 x 297 mm

Capacity approx. 35 l

- Waste bin with wall rail in robust, germ-reducing and easy-care stainless steel (AISI 304).
- All-stainless steel housing; visible surfaces satin finished and brushed.
- Tapered front with vertical curved recess and 6 mm-square perforations.
- Capacity approx. 35 l. Accessible by pulling out on the wall rail. Waste disposal from above through an optional waste disposal ring or flap.
- Mounting (wall rail): With four screws through key holes and one optional anti-theft hole.
- Delivery includes fixing material.
- Weight, including single package: 5.8 kg
- Also available without perforations upon request.

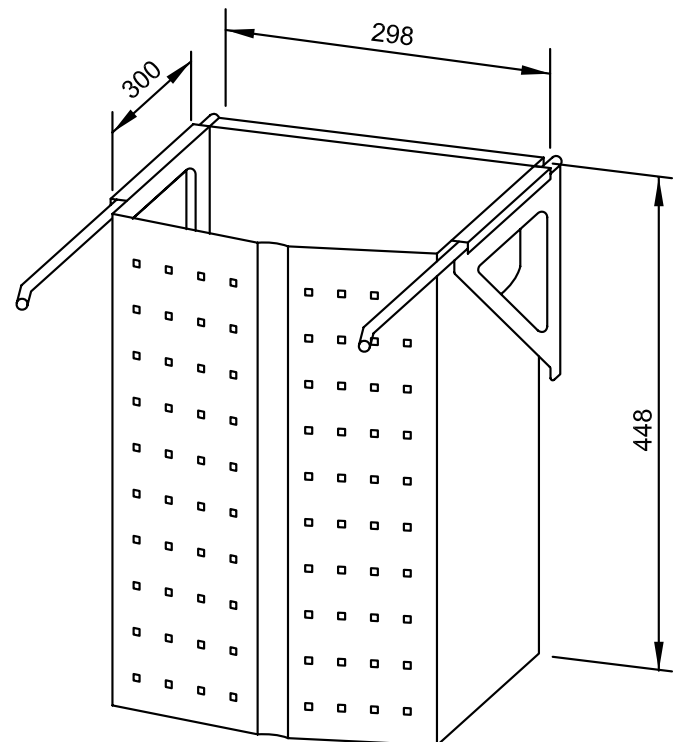


Suggested text for specifications:

Waste bin with wall rail in stainless steel (AISI 304) for under-counter mounting. All-stainless steel housing; visible surfaces satin finished and brushed. Tapered front with vertical curved recess and 6 mm-square perforations. Capacity approx. 35 l. Accessible by pulling out on the wall rail. Waste disposal from above through an optional waste disposal ring or flap. Delivery includes fixing material.

Dimensions: 298 x 448 x 297 mm

Article No. L188



Options	ID No.
Waste disposal ring WP159	727 080
Available surface	ID No.
satin finished	828 140

Ernst Wagner GmbH & Co. KG

Ernst-Abbe-Straße 21 · D-72770 Reutlingen · Tel.: +49712151539-0 · Fax: -20
info@wagner-ewar.de · www.wagner-ewar.de

WAGNER
EWAR