

Ø 45 x 80 mm

- Reserve toilet roll holder in solid, germ-reducing and easy-care stainless steel (AISI 303), satin finished.
Further available surfaces: see below.
- Designed for one standard toilet roll with dimensions:
Outer diameter max. 125 mm
Width max. 100 mm
Core diameter min. 38 mm
- Open two-point wall disc mounting.
- Holder diameter 16 mm
Length 80 mm
- Mounting: With two screws.
- Delivery includes fixing material.
- Weight, including single package: 0.2 kg

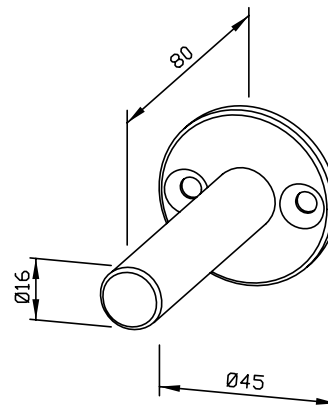


Suggested text for specifications:

Reserve toilet roll holder in solid stainless steel (AISI 303), satin finished, for surface mounting. Open two-point wall disc mounting. Delivery includes fixing material.

Dimensions: Ø 45 x 80 mm

Article No. PC222



| Available surfaces | ID No. |
|---------------------------|---------|
| satin finished (standard) | 720 222 |
| highly polished | 735 222 |