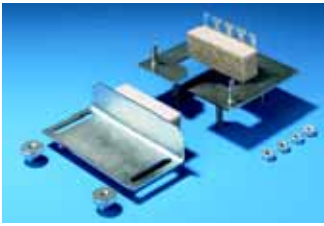


Cable management

Cable gland



Cable gland module

CP-L, Ø 130 mm

Use of the support arm cut-out CP-L, round, with enclosures mounted on the wall, for sealed cable entry. May also be mounted retrospectively with the cables already inserted.

Fitted with T-heads for cable clamping. Particularly well-suited to cables with identical cross-sections.

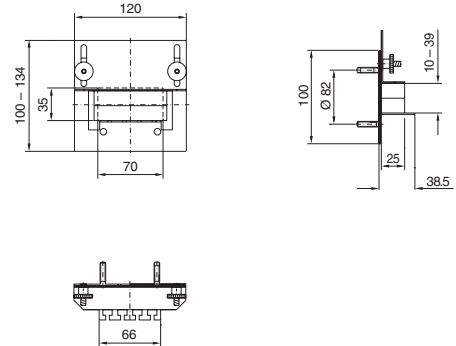
Material:

Sheet steel, zinc-plated, passivated.

Supply includes:

Assembly parts.

Packs of	Model No. CP
1	6052.500



Double-membrane gland

for wall thicknesses from 1.5 to 4.5 mm

A high protection category can be achieved with cable entry, thanks to the double seal.

Material:

Plastic to UL 94-HB

Protection category:

IP 66 with careful cable entry.

For hole	Sealing range mm	Packs of	Model No. SZ
M16	5 – 9	50	2898.160
M20	7 – 12	50	2898.200
M25	9 – 16	50	2898.250
M32	14 – 21	25	2898.320



Stepped collar

for wall thicknesses from 1.5 to 4.5 mm

For cable entry, simply cut off at the required level to match the cable diameter.

Material:

Plastic to UL 94-HB

Protection category:

IP 54 with careful cable entry.

For hole	Sealing range mm	Packs of	Model No. SZ
M20	5 – 16	100	2899.200
M25	5 – 21	50	2899.250
M32	13 – 26.5	25	2899.320
M40	13 – 34	20	2899.400

Cable gland



Edge protector

For covering sharp edges of cut-outs. Provides protection from injuries and prevents damage to inserted cables. The edge protector is suitable for material thicknesses of approx. 1.0 – 2.0 mm, and may be cut to length individually.

Material:

Plastic PVC

Colour:

Black

Packs of	Model No. DK
10 m	7072.100

B
7.8