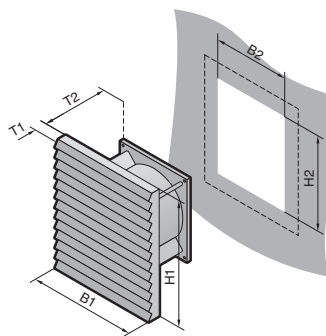


Fan-and-filter units

Air throughput 20/55 m³/h



B = Width
T = Depth

Supply includes:
Fan-and-filter unit ready for installation, including filter mats.

German registered design no. M 93 04 846

Approvals,
see page 77.

Performance diagrams,
available on the Internet.

| Model No. fan-and-filter unit SK | 3321.107 | 3321.117 | 3321.027 | 3321.047 ¹⁾ | 3322.107 | 3322.117 | 3322.027 | 3322.047 ¹⁾ |
|---|---|------------------------|---------------------------|------------------------|---|------------|---------------------------|------------------------|
| Rated operating voltage V, Hz | 230, 50/60 | 115, 50/60 | 24 (DC) | 48 (DC) | 230, 50/60 | 115, 50/60 | 24 (DC) | 48 (DC) |
| Dimensions in mm | B1/H1 | 116.5 | | | 148.5 | | | |
| | B2/H2 | 92 + 0.8 ²⁾ | | | 124 ²⁾ | | | |
| | T1 | 10 | | | 10.5 | | | |
| Max. installation depth mm | T2 | 42 | | | 57 | | | |
| Air throughput, unimpeded air flow | 20/25 m³/h | | 20 m³/h | | 55/66 m³/h | | 55 m³/h | |
| Air throughput with outlet filter including standard filter mat | 1 x SK 3321.207: 15/18 m³/h | | | | 1 x SK 3322.207: 43/50 m³/h | | | |

| | | | | | | | | |
|--|--|------------------|-----------|-------|---------------------------------|------------------|-----------|-------|
| Axial fan | self-starting shaded pole motor | | DC motor | | self-starting shaded pole motor | | DC motor | |
| Rated current max. | 69 mA 58 mA | 138 mA 115 mA | 125 mA | 90 mA | 0.12 A 0.11 A | 0.24 A 0.23 A | 0.35 A | 90 mA |
| Power | 12.5 W/10.3 W | | 3.0 W | 4.1 W | 19.0 W/18.0 W | | 7.7 W | 4.4 W |
| Noise level | 41/46 dB (A) | | 41 dB (A) | | 46/49 dB (A) | | 46 dB (A) | |
| Temperature range | -10°C to +55°C | | | | | | | |
| Colour | RAL 7035 ³⁾ | | | | | | | |
| Protection category to EN 60 529/10.91 | IP 54 standard IP 56 when using a hose-proof hood | | | | | | | |

| Model No. outlet filter SK | 3321.207 | 3322.207 | | | | | | | | |
|----------------------------|-----------------|----------|----------|----------|---|----------|----------|----------|-------------|-----|
| Accessories | Packs of | | | | | | | | Page | |
| Spare filter mats | 5 | 3321.700 | 3322.700 | | | | | | 670 | |
| Thermostat | 1 | 3110.000 | | | | | | | 661 | |
| Temperature indicator | 1 | 3114.100 | 3114.115 | 3114.024 | - | 3114.100 | 3114.115 | 3114.024 | - | 660 |
| Speed control | 1 | 3120.000 | 3120.115 | - | - | 3120.000 | 3120.115 | - | - | 662 |
| Hose-proof hood | 1 | 3321.800 | 3322.800 | | | | | | 666 | |

¹⁾ Delivery times available on request.

²⁾ For metal thickness > 2.5 mm, the cutout B2/H2 must be 1 mm larger.

³⁾ RAL 7032 on request.

Special voltages available on request. We reserve the right to make technical modifications.