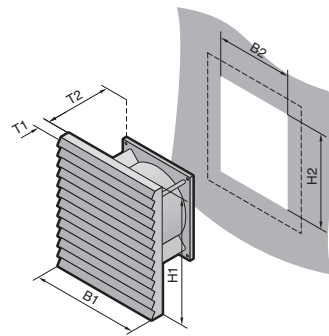
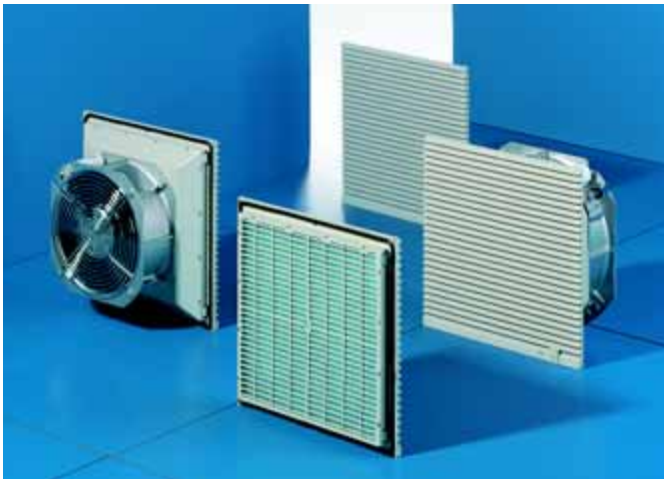


Fan-and-filter units

Air throughput 550/700 m³/h



B = Width
T = Depth

Supply includes:
Fan-and-filter unit ready for installation, including filter mats.

German registered design no. M 93 04 846

Approvals,
see page 77.

Performance diagrams,
available on the Internet.

Model No. fan-and-filter unit SK	3326.107	3326.117	3327.107	3327.117	3327.147
Rated operating voltage V, Hz	230, 50/60	115, 50/60	230, 50/60	115, 50/60	400/460, 3~, 50/60
Dimensions in mm	B1/H1	323			
	B2/H2	292 ¹⁾			
	T1	12.5			
Max. installation depth mm	T2	125	145		
Air throughput, unimpeded air flow	550/600 m³/h		700/720 m³/h		
Air throughput with outlet filter including standard filter mat	1 x SK 3326.207: 360/390 m³/h 2 x SK 3326.207: 440/495 m³/h		1 x SK 3326.207: 525/575 m³/h		

Axial fan	Capacitor motor				Rotary current motor
Rated current max.	0.29 A 0.35 A	0.58 A 0.70 A	0.65 A 0.95 A	1.5 A 2.0 A	0.27 A 0.37 A
Power	64.0 W/80.0 W		115.0 W/212.0 W	167.0 W/230.0 W	146.0 W/220.0 W
Noise level	59/61 dB (A)		75/76 dB (A)		
Temperature range	-10°C to +55°C				
Colour	RAL 7035 ²⁾				
Protection category to EN 60 529/10.91	IP 54 standard IP 55 when using an additional fine filter mat IP 56 when using an additional fine filter mat and hose-proof hood				

Model No. outlet filter SK	3326.207					
Accessories	Packs of					Page
Spare filter mats	5	3173.100	3327.700			670
Fine filter mats	5	3183.100				670
Thermostat	1	3110.000				661
Temperature indicator	1	3114.100	3114.115	3114.100	3114.115	660
Speed control	1	3120.000	3120.115	3120.000	-	662
Hose-proof hood	1	3326.800				666

¹⁾ For metal thickness > 2.5 mm, the cutout B2/H2 must be 1 mm larger.

²⁾ RAL 7032 on request.

Special voltages available on request. We reserve the right to make technical modifications.