

AUSTRALIA

dedece
263 Liverpool Street
Darlinghurst
NSW 2010 Sydney
Tel: 2 9360 2722
Fax: 2 9356 4042
dedece@dedece.com
www.dedece.com

BELGIË

Vola bvba
Valkenburgerstraat 23
1011 MG Amsterdam
Tel: 03 440 46 19
Fax: 03 448 22 04
sales@vola.be
www.vola.be

CANADA

Ginger's Bath
80 Ronald Avenue
Toronto, Ontario
M5E 5A2
Tel: 416-787-1787
Fax: 416-787-1748
gingers@gingersbath.com
www.ellie.com

DANMARK

Vola AS
Lunavej 2
8700 Horsens
Tel: 70 23 55 00
Fax: 70 23 55 11
sales@vola.dk
www.vola.dk

DEUTSCHLAND

Vola GmbH
Schwanthaler Straße 75A
80336 München
Tel: 089 599959-0
Fax: 089 599959-90
vola@vola.de
www.vola.de

EIRE

Shires
Bromhill Road, Tallaght
Dublin 24
Tel: 1 4047 600
Fax: 1 4047 640
shiresireland@qualceram-shires.com

ESPAÑA

ART-QUITECT
c/ Comercio, 31
08003 Barcelona
Tel: (93) 844.40.70
Fax: (93) 844.40.71
artquitect@artquitect.net

ESTONIA

Hals Interiors OÜ
Kadaka tee 42H
12915 Tallinn
Tel: 271 514 10
Fax: 271 514 11
hals@hals.ee
www.hals.ee

FRANCE

sopha industries
44, rue Blanche
75009 Paris
Tel: (0) 142812585
Fax: (0) 140164518
sopha@sopha.fr
www.sopha.fr

GREAT BRITAIN

Vola UK Ltd.
Unit 12, Amphihill Business Park
Station Road, Amphihill
Bedfordshire MK45 2QW
Tel: 01525 84 11 55
Fax: 01525 84 11 77
sales@vola.co.uk
www.vola.co.uk

HELLAS

moda bagno s.a.
50 Anapafseos Street
Vrissia 15 235, Athens
Tel: 10 80 36 700
Fax: 10 80 49 408/
10 80 46 987
www.modabagno.gr

HONG KONG

portofolio group limited
G/F, 59 Egin Street,
Central, Hong Kong
Tel: 28680765
Fax: 25247887
sales@pglid.com.hk

ISLAND

Tengi ehf.
Smíðjuvegur 76
200 Kópavogur
Tel: +354 414-1000
Fax: +354 414-1001
www.tengi.is

ISRAEL

Super Ceramic
23 Baruch Hirsh St.
Bney Brak 51201
Tel: 3 9394940
Fax: 3 9341459
import@hgii.co.il

ITALIA

RAPSEL Spa
Via Volta, 13
20019 Settimo Milanese (MI)
Tel: 02 33 55 981
Fax: 02 33501306
rapasel@rapasel.it
www.rapasel.it

KOREA

E.L. Sylem Co. Ltd.
2F, Inwha B/D,
97-17 Nonhyun-dong
Kangnam-gu
Seoul
Tel: (02) 598-4517
Fax: (02) 521-3786

KYPRIAKI DIMOKRATI /

KIBRIS CÜMHURİYETİ
S.C. Nicolaides Ltd
Gregoriou Karckia 3, Strovolos
1512 Nicosia
Tel: 22 312 141
Fax: 22 424 803
cn@oikia.com.cy

LATVIA

Hals Trading Ltd.
Antenas str. 3
1004, Riga
Tel: 76229561
Fax: 7627190
info@halstrading.lv
www.hals.ee

LEBANON

Geachchan Group
Sin El Fil
Geachchan Building
Hayek Round About
Beirut
Tel: +961 1 480 520
Fax: +961 1 496 607
info@geachchangroup.com
www.geachchangroup.com

MÉXICO

Productos de Laton
de Alta Calidad S.A. de C.V.
Explanada 719
Mexico DF, 11000
tel 01 800 2253946
fax (515)5402890
placasadecv@hotmail.com
www.gzdisi.biz/vola/vola.html

NETHERLAND

Vola Sanitair BV
Valkenburgerstraat 23
1011 MG Amsterdam
Tel: 020 36 59 356
Fax: 020 36 56 482
info.nl@vola.com
www.vola.com

NEW ZEALAND

Metrix Group
211 Wairaur Rd,
Takapuna, Auckland
Tel: 09-443 1333
Fax: 09-443 1340
metrix@metrix.co.nz

NIPPON

Cera Trading Co., c/o Toto Ltd.
TOTO Nogizaka Bldg.
1-24-3 Minami Aoyama
Minato-ku
Tokyo 107-0062
Tel: 03-3796-6151
Fax: 03-3402-7185
inno@ceraco.jp

FUJI DESIGN CORPORATION

3 - 15 - 14 Higashi-ikebukuro
Toshima-Ku
Tokyo 170-0013
Tel: 03-3985-2251
Fax: 03-3988-8320
inf@fujid.com
www.fujid.com

NORGE

shelby teknisk as
Strandgaten 55
4370 Egersund
Tel: 51 46 18 00
Fax: 51 46 18 01
post@shelby.no
www.shelby.no

ÖSTERREICH

Vola Vertriebs-GmbH
Am Wasser 4
8430 Lebnitz
Tel: 0043 3452 71434
Fax: 0043 3452 71390
vola@vola.at
www.vola.at

POLSKA

Vola Decorum
Ul. Promenada 1/3
00-778 Warszawa
Tel: 22 840 30 65
Fax: 22 840 25 36
vola@voladecorum.pl

PORTUGAL

CARVALHO, BATISTA & Ca. S.A.
Rua do Almada
79-89 - Apartado 4784
4013-001 Porto
Tel: 22 339 21 26 / 7 / 9
Fax: 22 205 96 11
carvalhobatista@mail.telepac.pt
www.carvalhobatista.pt

SCHWEIZ

Vola AG
Mülser 18
8320 Fehraltorf
Tel: 044 / 955 18 18
Fax: 044 / 955 18 19
sales@vola.ch
www.vola.ch

SINGAPORE

Wan Tai & Co. (Pte.) Ltd.
25 Changi South Avenue 2
SINGAPORE 486630
Tel: +65 6546 5900
Fax: +65 6546 6388
info@wantai.com
www.bathroomgallery.com.sg

SLOVENIJA

MODERNA d. o. o.
Ivonacijevo nas. 5,
9000 Murska Sobota
tel.fax: 6 2 532 1967
Perioeva 31
1000 Ljubljana
Tel: 6 1 236 21 83
Fax: 6 1 236 21 84
moderna@siol.net

SUOMI

INNO-TUOTE OY
Main office and production
TÄHDENLÄNNONTIE 9
02240 ESPOO
Tel: (0) 9 8870 380
Fax: (0) 9 8870 3833
inno@innointerior.fi
www.innointerior.com

SVERIGE

Vola ab
Ruddamsgatan 14, 2
S-803 20 Gävle
Tel: +46 26 140230
Fax: +46 26 140231
sales@vola.se
www.vola.com

TAIWAN

Balden Company
4, Lane 42,
Chung Shan North Road Sec. 2
Taipei
Tel: (02) 2541-7063
Fax: (02) 2523-3628
balden@ms22.hinet.net

UNITED STATES

Hastings Tile and Bath Collection
30 Commercial Street
Freeport, NY 11520
Tel: 516-373-3500
Tel: 800-351-0038
Fax: 516-223-8495
vola@hastings30.com
www.hastings30.com



This instruction concerns mounting of Vola A24 handle.

For mounting of build-in fitting please see mounting instruction from Geberit.

Vola A/S • Lunavej 2 • DK-8700 Horsens

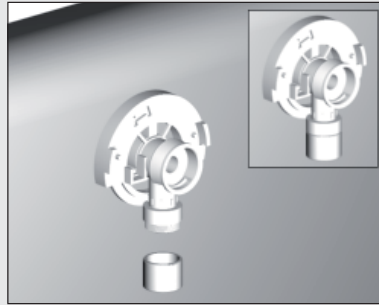
Tel: +45 7023 5500 • Fax: +457023 5511 • sales@vola.dk • www.vola.dk



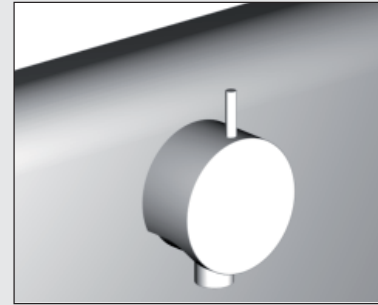
Before mounting

Remove any protection caps.

Remove any unevenness on outer diameter of fixing part, please see arrow.

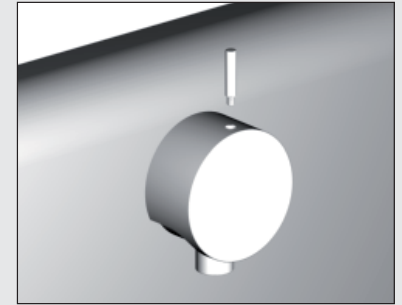


Mount aerator.



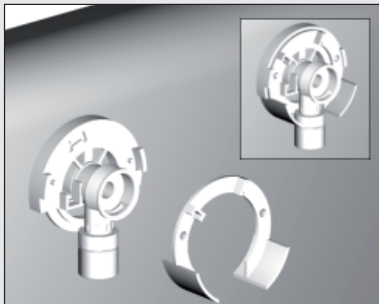
Test:

Turn handle from side to side and check on/off function of waste.



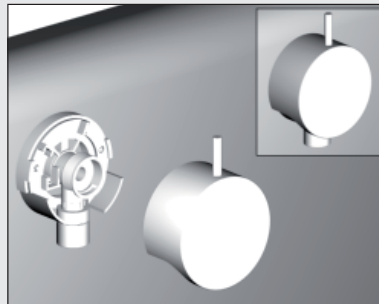
Anti-theft protection

1) Demount peg.



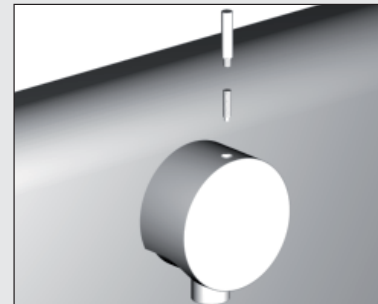
Mount stop ring:

Squeeze stop ring slightly and mount so that the holes of the stop ring fit with the pegs of the fixing part.

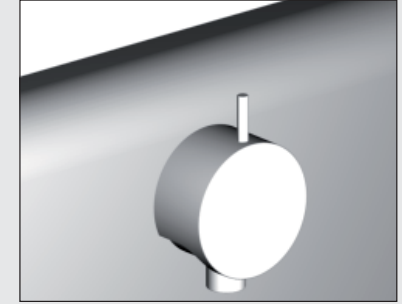


Mount handle:

Mount handle so that the peg of the handle points upwards.



2) Mount the set screw enclosed. Screw set screw in and then screw it half a turn back.



3) Remount peg.