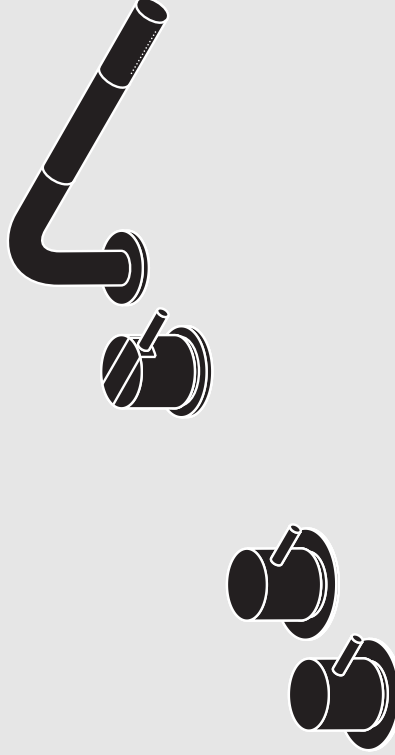
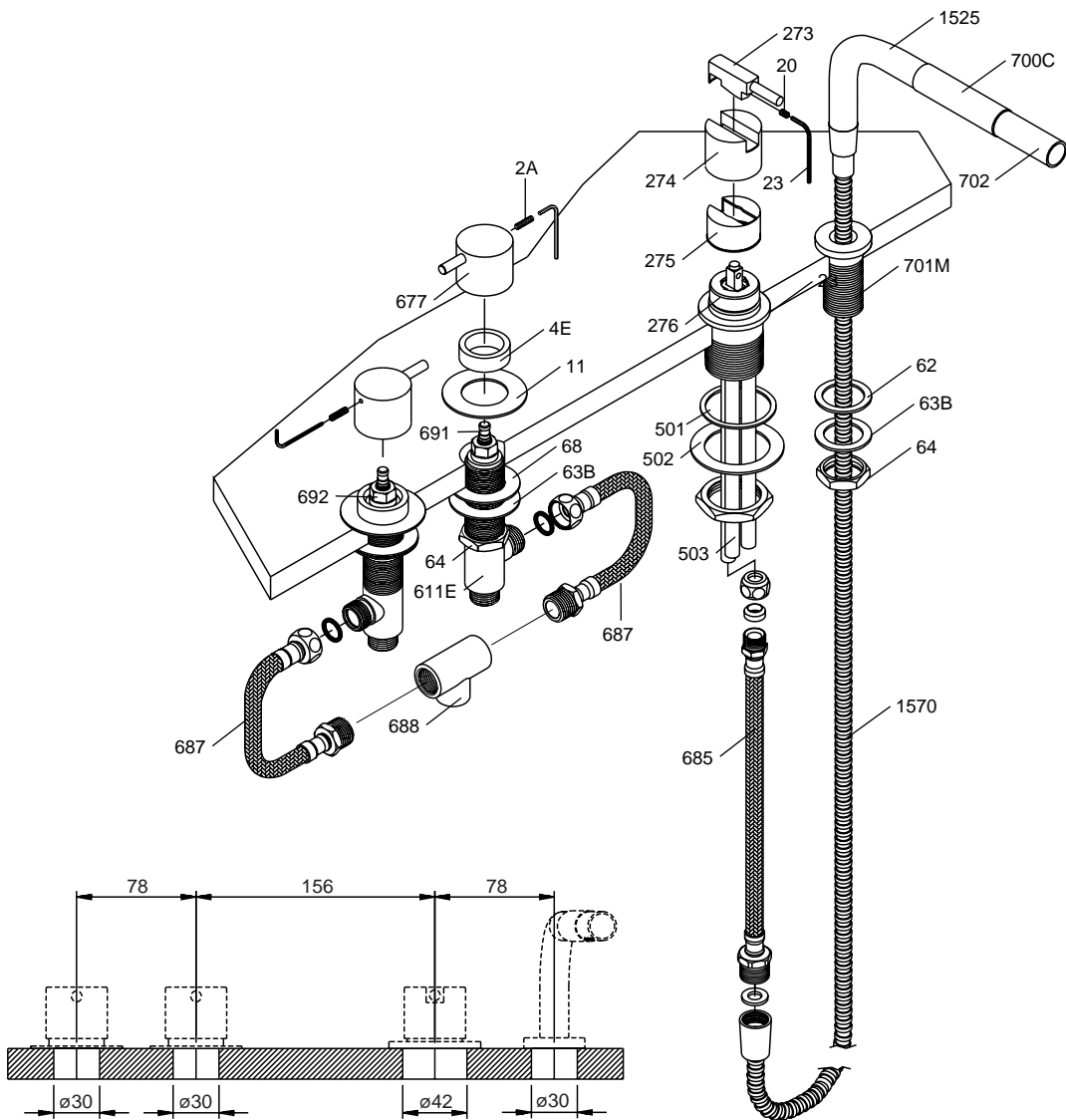


# Monteringsvejledning Vola SC4 Montageanleitung Vola SC4 Mounting instruction Vola SC4

- AUSTRALIA**  
dedece  
263 Liverpool Street  
Darlinghurst,  
NSW 2010 Sydney  
Tel: 2 9360 2722  
Fax: 2 9356 4042  
dedece@dedece.com  
www.dedece.com
- BELGIË**  
Vola bvba  
Valkenburgstraat 23  
1011 MG Amsterdam  
Tel.: 03 440 46 19  
Fax: 03 448 22 04  
sales@vola.be  
www.vola.be
- CANADA**  
Ginger's Bath  
80 Ronald Avenue  
Toronto, Ontario  
M6E 5A2  
Tel: 416-787-1787  
Fax: 416-787-1748  
gingers@gingersbath.com  
www.eltie.com
- DANIMARK**  
Vola A/S  
Lunavej 2  
8700 Horsens  
Tel: 70 23 55 00  
Fax: 70 23 55 11  
sales@vola.dk  
www.vola.dk
- DEUTSCHLAND**  
Vola GmbH  
Schwenhainer Straße 75A  
80536 München  
Tel: 089 599959-0  
Fax: 089 599959-40  
vola@vola.de  
www.vola.de
- EIRE**  
Shires  
Bromhill Road, Tallaght  
Dublin 24  
Tel: 1 4047 600  
Fax: 1 4047 640  
shiresireland@qualceram-shires.com
- ESPAÑA**  
ART-QUITEC  
c/ Comercio, 31  
08003 Barcelona  
Tel: (93) 844.40.70  
Fax: (93) 844.40.71  
artquitect@artquitect.net
- ESTONIA**  
Hals Interiors OÜ  
Kadaka tee 42H  
12915 Tallinn  
Tel.: 271 514 10  
Fax: 271 514 11  
hals@hals.ee  
www.hals.ee
- FRANCE**  
sopha industries  
44, rue Blanche  
75009 Paris  
Tel: (0) 142812585  
Fax: (0) 140164518  
sopha@sopha.fr  
www.sopha.fr
- GREAT BRITAIN**  
Vola UK Ltd.  
Unit 12, Amphill Business Park  
Station Road, Amphill  
Bedfordshire MK45 2QW  
Tel: 01525 84 11 55  
Fax: 01525 84 11 77  
sales@vola.co.uk  
www.vola.co.uk
- HOLLAND**  
Vola bvba  
50 Anaparissee Street  
Villissia 15 235, Athens  
Tel.: 10 80 36 700  
Fax: 10 80 49 408/  
10 80 46 987  
www.modabagno.gr
- HONG KONG**  
portfolio group limited  
G/F 59 Elgin Street,  
Central, Hong Kong  
Tel: 28680765  
Fax: 25247887  
sales@pglid.com.hk
- ISLAND**  
Tengi ehf.  
Smidjuvegur 76  
200 Kopavogur  
Tel: +354 414-1000  
Fax: +354 414-1001  
www.tengi.is
- ISRAEL**  
Super Ceramic  
23 Baruch Hirsh St.  
Bney Brak 51201  
Tel: 3 9394640  
Fax: 3 9341459  
import@hgil.co.il
- ITALIA**  
RAPSEL Spa  
Via Volta, 13  
20019 Settimo Milanese (MI)  
Via Volta, 13  
Tel: 02 33 55 581  
Fax: 02 33501306  
rapsel@rapsel.it  
www.rapsel.it
- KOREA**  
E.L. System Co. Ltd.  
2F, Inwha B/D,  
97-17 Nonhyun-dong  
Kangnam-gu  
Seoul  
Tel: (02) 598-4517  
Fax: (02) 521-3786
- KYPRIAKI DIMOKRATI /  
KIBIRIS CÏMHURIYETI**  
S.C. Nicolaidis Ltd  
Georgiou Karakia 3, Strovolos  
1512 Nicosia  
Tel: 22 312 141  
Fax: 22 424 803  
cn@oikika.com.cy
- LATVIA**  
Hals Trading Ltd.  
Antenas str. 3  
1004, Riga  
Tel: 7629561  
Fax: 7627190  
info@halsstrading.lv  
www.hals.ee
- LEBANON**  
Geachchan Group  
Sin El Fil  
Geachchan Building  
Hayek Round About  
Beirut  
Tel: +961 1 486 520  
Fax: +961 1 486 607  
info@geachhangroup.com  
www.geachhangroup.com
- MEXICO**  
Productos de Laton  
de Alta Calidad S.A. de C.V.  
Explanada 710  
Mexico DF: 11000  
tel 01 800 2253946  
fax (55)55402890  
placsadecv@hotmail.com  
www.gzdisi.biz/vola/vola.html
- NETHERLAND**  
Vola Sanitair BV  
Valkenburgstraat 23  
1011 MG Amsterdam  
Tel: 020 36 56 356  
Fax: 020 36 56 482  
info.nl@vola.com  
www.vola.com
- NEW ZEALAND**  
Metix Group  
211 Waitaru Rd.  
Takapuna, Auckland  
Tel: 09-443 1333  
Fax: 09-443 1340  
metix@metix.co.nz
- NIPPON**  
Cera Trading Co., c/o Toto Ltd.  
TOTO Nogizaka Bldg.  
1-24-3 Minami Aoyama  
Minato-ku  
Tokyo 107-0062  
Tel: 03-3796-6151  
Fax: 03-3402-7185  
www.cera.co.jp
- FUJI DESIGN CORPORATION**  
3 -15 -14 Higashi-Hebukuro  
Toshima-Ku  
Tokyo 170-0013  
Tel: 03-3983-2251  
Fax: 03-3988-8320  
inf@fujid.com  
www.fujid.com
- NORGE**  
shelby teknikk as  
Strandgaten 55  
4370 Egersund  
Tel: 51 46 18 00  
Fax: 51 46 18 01  
post@shelby.no  
www.shelby.
- ÖSTERREICH**  
Vola Vertriebs-GmbH  
Am Wasser 4  
8430 Leibnitz  
Tel: 0043 3452 71434  
Fax: 0043 3452 71390  
vola@vola.at  
www.vola.at
- POLSKA**  
Vola Decorum  
Ul. Promienada 1/3  
00-778 Warszawa  
Tel: 22 840 30 65  
Fax: 22 840 25 36  
vola@voladecorum.pl
- PORTUGAL**  
CARVALHO, BATISTA & Ca. Sa.  
Rua do Almada  
79-89 - Apartado 4784  
4013-001 Porto  
Tel: 22 339 21 26 / 7 / 9  
Fax: 22 205 96 11  
carvalhobatista@mail.telepac.pt  
www.carvalhobatista.pt
- SCHWEIZ**  
Vola AG  
Müllistr. 18  
8320 Fehrlorfl  
Tel: 044 / 955 18 18  
Fax: 044 / 955 18 19  
sales@vola.ch  
www.vola.ch
- SINGAPORE**  
Wan Tai & Co. (Pte.) Ltd.  
25 Changi South Avenue 2  
SINGAPORE 486630  
Tel: +65 6546 5900  
Fax: +65 6546 6388  
info@wantai.com  
www.bathroomgallery.com.sg
- SLOVENIJA**  
MODERNA d. o. o.  
Ivonacijevo nas. 5,  
9000 Murska Sobota  
tel/faks: 6 2 532 1967  
Perceva 31  
1000 Ljubljana  
Tel: 6 1 236 21 83  
Faks: 6 1 236 21 84  
moderna@siol.net
- SUOMI**  
INNO-TUOTE OY  
Main office and production  
TÄHDENLENNONTIE 9  
02240 ESPOO  
Tel: (0) 9 8870 380  
Fax: (0) 9 8870 3833  
info@innointerior.fi  
www.innointerior.com
- SVERIGE**  
Vola ab  
Ruddammsgatan 14, 2  
S-803 20 Gävle  
Tel: +46 26 140230  
Fax: +46 26 140231  
sales@vola.se  
www.vola.com
- TAIWAN**  
Balden Company  
4, Lane 42,  
Chung Shan North Road Sec. 2  
Taipei  
Tel: (02) 2541-7063  
Fax: (02) 2523-3628  
balden@msz2.hinet.net
- UNITED STATES**  
Hastings Tile and Bath Collection  
30 Commercial Street  
Freeport, NY 11520  
Tel: 516-379-3500  
Tel: 800-351-0038  
Fax: 516-223-8495  
vola@hastings30.com  
www.hastings30.com





1 x Vola S50D  
(Ø = 28 mm)

1 x Vola S50DH  
(Ø = 28 mm)

1 x Vola 500  
(Ø = 40 mm)

1 x Vola T1M200  
(Ø = 28 mm)