

AUSTRALIA
dedece
263 Liverpool Street
Darlinghurst
NSW 2010 Sydney
Tel: 2 9360 2722
Fax: 2 9356 4042
dedece@dedece.com
www.dedece.com

BELGIË
Vola bvba
Valkenburgerstraat 23
1011 MG Amsterdam
Tel.: 03 440 46 19
Fax: 03 448 22 04
sales@vola.be
www.vola.be

CANADA
Ginger's Bath
80 Ronald Avenue
Toronto, Ontario
M6E 5A2
Tel: 416-787-1787
Fax: 416-787-1748
gingers@gingersbath.com
www.elte.com

DANMARK
Vola A/S
Lunavej 2
8700 Horsens
Tel: 70 23 55 00
Fax: 70 23 55 11
sales@vola.dk
www.vola.dk

DEUTSCHLAND
Vola GmbH
Schwanthaler Straße 75A
80336 München
Tel: 089 599959-0
Fax: 089 599959-90
vola@vola.de
www.vola.de

EIRE
Shires
Bromhill Road, Tallaght
Dublin 24
Tel: 1 4047 600
Fax: 1 4047 640
shiresireland@qualceram-shires.com

ESPAÑA
ART-QUITECT
c/ Comercio, 31
08003 Barcelona
Tel: (93) 844.40.70
Fax: (93) 844.40.71
artquitect@artquitect.net

ESTONIA
Hals Interiors OÜ
Kadaka tee 42H
12915 Tallinn
Tel.: 271 514 10
Fax: 271 514 11
hals@hals.ee
www.hals.ee

FRANCE
sopha industries
44, rue Blanche
75009 Paris
Tel: (0) 142812585
Fax: (0) 140164518
sopha@sopha.fr
www.sopha.fr

GREAT BRITAIN
Vola UK Ltd.
Unit 12, Ampthill Business Park
Station Road, Ampthill
Bedfordshire MK45 2QW
Tel: 01525 84 11 55
Fax: 01525 84 11 77
sales@vola.co.uk
www.vola.co.uk

HELLAS
moda bagno s.a.
50 Anapafseos Street
Vrilissia 15 235, Athens
Tel: 10 80 36 700
Fax: 10 80 49 408/
10 80 46 987
www.modabagno.gr

HONG KONG
portfolio group limited
G/F, 59 Elgin Street,
Central, Hong Kong
Tel: 28680765
Fax: 25247887
sales@pgltd.com.hk

ISLAND
Tengi ehf.
Smidjuvegur 76
200 Kópavogur
Tel: +354 414-1000
Fax: +354 414-1001
www.tengi.is

ISRAEL
Super Ceramic
23 Baruch Hirsh St.
Bney Brak 51201
Tel: 3 9394640
Fax: 3 9341459
import@hgii.co.il

ITALIA
RAPSEL Spa
Via Volta, 13
20019 Settimo Milanese (MI)
Tel: 02.33 55 981
Fax: 02.33501306
rapssel@rapssel.it
www.rapssel.it

KOREA
E.L. System Co. Ltd.
2F, Inwha B/D,
97-17 Nonhyun-dong
Kangnam-gu
Seoul
Tel: (02) 598-4517
Fax: (02) 521-3786

**KYPRIAKI DIMOKRATI /
KIBRIS CÜMHURİYETİ**
S.C. Nicolaides Ltd.
Gregoriou Karckla 3, Strovolos
1512 Nicosia
Tel: 22 312 141
Fax: 22 424 803
cn@oikia.com.cy

LATVIA
Hals Trading ltd.
Antenas str. 3
1004, Rīga
Tel: 7629561
Fax: 7627190
info@halstrading.lv
www.hals.ee

LEBANON
Geachan Group
Sin El Fil
Station Road, Ampthill
Hayek Round About
Beirut
Tel +961 1 480 520
Fax +961 1 496 607
info@geachangroup.com
www.geachangroup.com

MÉXICO
Productos de Laton
de Alta Calidad S.A. de C.V.
Explanada 710
Mexico DF, 11000
tel 01 800 2253946
fax (55)55402890
placsadecv@hotmail.com
www.gzdisi.biz/vola/vola.html

NETERLAND
Vola Sanitair BV
Vaikenburgerstraat 23
1011 MG Amsterdam
Tel: 020 36 56 356
Fax: 020 36 56 482
info.nl@vola.com
www.vola.com

NEW ZEALAND
Metrix Group
211 Wairau Rd.
Takapuna, Auckland
Tel: 09-443 1333
Fax: 09-443 1340
metrix@metrix.co.nz

NIPPON
Cera Trading Co., c/o Toto Ltd.
TOTO Nogizaka Bldg.
1-24-3 Minami Aoyama
Minato-ku
Tokyo 107-0062
Tel: 03-3796-6151
Fax: 03-3402-7185
www.cera.co.jp

FUJII DESIGN CORPORATION
3 -15 -14 Higashi-lkebukuro
Toshima-Ku
Tokyo 170- 0013
Tel: 03-3983-2251
Fax: 03-3988-8320
inf@fujid.com
www.fujid.com

NORGE
shelby teknikk as
Strandgaten 55
4370 Egersund
Tel: 51 46 18 00
Fax: 51 46 18 01
post@shelby.no
www.shelby.

ÖSTERREICH
Vola Vertriebs-GmbH
Am Wasser 4
8430 Leibnitz
Tel: 0043 3452 71434
Fax: 0043 3452 71390
vola@vola.at
www.vola.at

POLSKA
Vola Decorum
Ul. Promenada 1/3
00-778 Warszawa
Tel: 22 840 30 65
Fax: 22 840 25 36
vola@voladecorum.pl

PORTUGAL
CARVALHO, BATISTA & Ca, Sa.
Rua do Almada
79-89 - Apartado 4784
4013-001 Porto
Tel: 22 339 21 26 / 7 / 9
Fax: 22 205 96 11
carvalhobatista@mail.telepac.pt
www.carvalhobatista.pt

SCHWEIZ
Vola AG
Mülistr. 18
8320 Fehraltorf
Tel: 044 / 955 18 18
Fax: 044 / 955 18 19
sales@vola.ch
www.vola.ch

SINGAPORE
Wan Tai & Co. (Pte.) Ltd.
25 Changi South Avenue 2
SINGAPORE 486630
Tel. +65 6546 5900
Fax +65 6546 6388
info@wantai.com
www.bathroomgallery.com.sg

SLOVENIJA
MODERNA d. o. o.
Ivonacijeva nas. 5,
9000 Murska Sobota
tel./faks: 6 2 532 1967
Periceva 31
1000 Ljubljana
Tel. 6 1 236 21 83
Faks: 6 1 236 21 84
moderna@siol.net

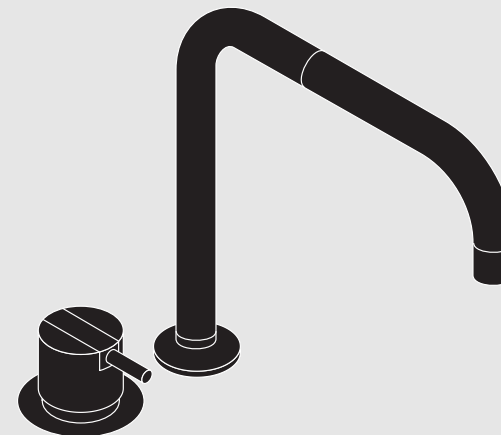
SUOMI
INNO-TUOTE OY
Main office and production
TÄHDENLENNONTIE 9
02240 ESPOO
Tel: (0) 9 8870 380
Fax: (0) 9 8870 3833
inno@innointerior.fi
www.innointerior.com

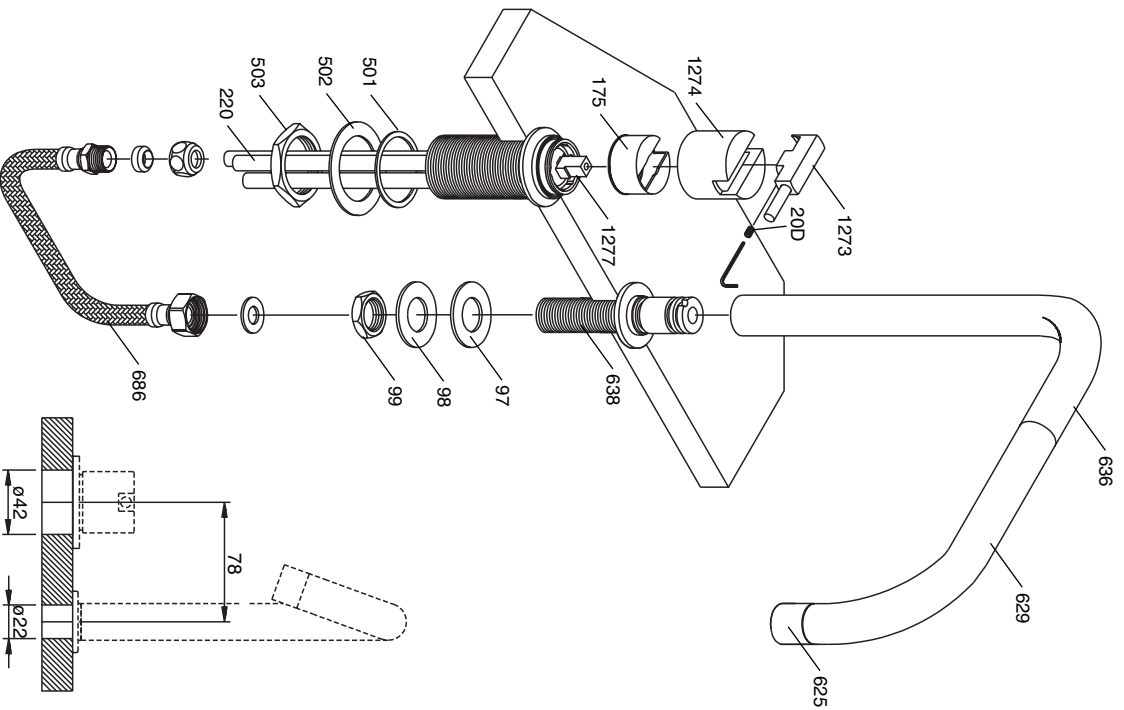
SVERIGE
Vola ab
Ruddammsgatan 14, 2
S-803 20 Gävle
Tel: +46 26 140230
Fax: +46 26 140231
sales@vola.se
www.vola.com

TAIWAN
Balden Company
4, Lane 42,
Chung Shan North Road Sec. 2
Taipei
Tel: (02) 2541-7063
Fax: (02) 2523-3628
balden@ms22.hinet.net

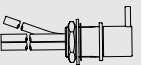
UNITED STATES
Hastings Tile and Bath Collection
30 Commercial Street
Freeport, NY 11520
Tel: 516-379-3500
Tel: 800-351-0038
Fax: 516-223-8495
vola@hastings30.com
www.hastingstilebath.com

Monteringsvejledning Vola SC5 Montageanleitung Vola SC5 Mounting instruction Vola SC5





1 x Voia 2500
($\varnothing = 40$ mm)



1 x Voia 090D/C
($\varnothing = 21$ mm. Max 29 mm)

